



European Union  
Regional Development Fund



Investing in your future



## CABLE MANHOLE KKS3 Class B



KKS3, the modern connection manhole for communications routes is an innovative replacement product for outdated concrete manholes.

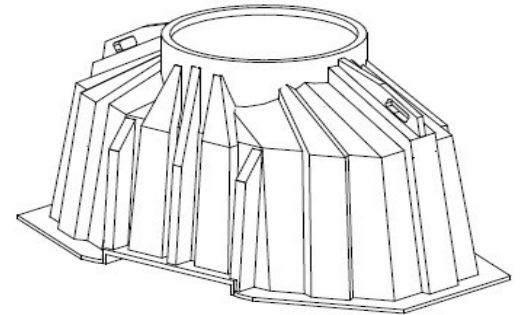
**Cable manhole KKS3 (Class B) is intended for use only in green areas, because it can carry load up to 12,5t.**

### The KKS3 (class B) half-size manhole is:

made of: polyethylene (PE) using rotational moulding technology  
areas of use: cable and communications manholes, ground source heat manholes  
weight: 40 kg + accessories  
accessories: plastic and cast iron covers (green area B125), penetration sleeves  
useful information: for 100 mm penetration sleeve use 108 mm milling cutter;

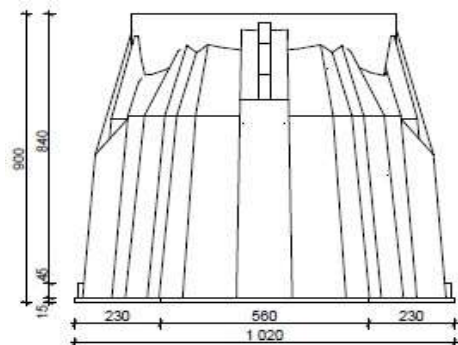
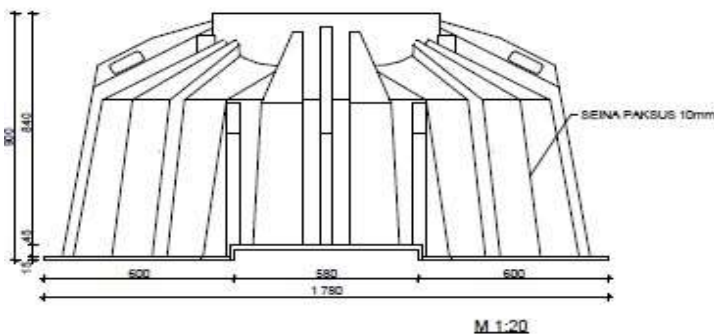
### Components include:

- body of the manhole
- telescope
- 2 penetration sleeves



### In addition see:

- KKS3 installation guide
- concrete manhole *versus* PE manhole pros/cons table
- technical drawing
- certificates
- [www.vesimentor.ee](http://www.vesimentor.ee)



OÜ Vesimentor  
Kase 10  
80047 Pärnu, ESTONIA  
[www.vesimentor.ee](http://www.vesimentor.ee)

TEL: +372 5687 4999  
FAX :+ 372 4470 072  
E-mail: [sales@vesimentor.ee](mailto:sales@vesimentor.ee)  
VAT: EE100081893

IBAN: EE 761010902000605001  
BIC/SWIFT: EEUHEE2X  
Bank: SEB  
ESTONIA VAT: EE100081893



AQAP 2118:2009